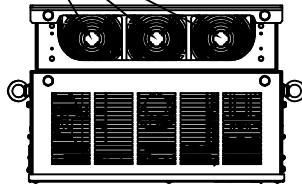
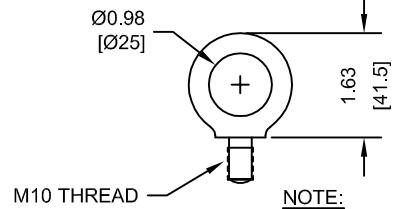


(3) EXTERNAL COOLING FANS

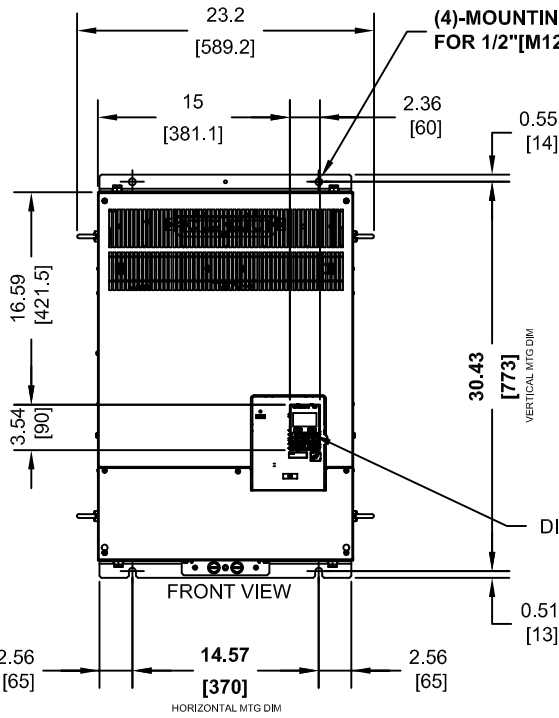


LIFTING AND EYEBOLT DETAILS



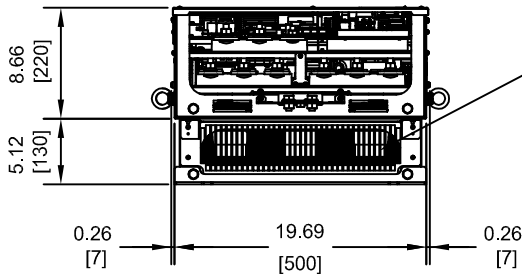
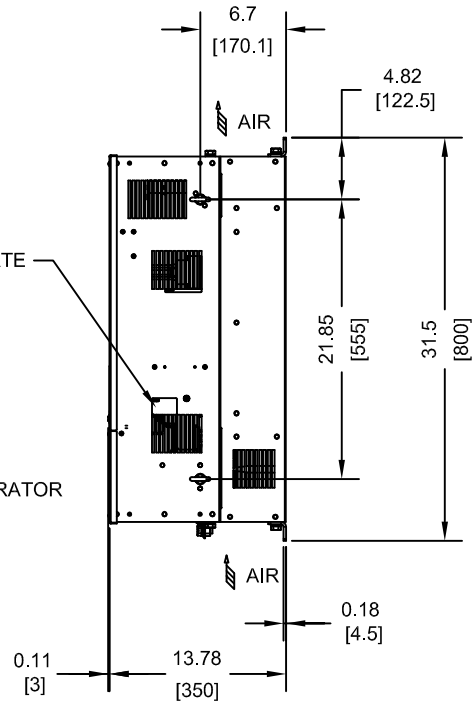
NOTE:
SPREADER BAR REQUIRED TO AVOID DAMAGE DURING LIFTING

(4)-MOUNTING HOLES FOR 1/2" [M12] SCREWS



NAMEPLATE

DIGITAL OPERATOR



OPTIONAL CAPACITOR COVER
WHEN USING AN EXTERNAL MOUNT HEATSINK, UL COMPLIANCE REQUIRES COVERING EXPOSED CAPACITORS IN THE MAIN CIRCUIT TO PREVENT INJURY. CONSULT MANUAL FOR DETAILS.

MODEL # CIMR-ZU	VOLTAGE THREE-PHASE (VAC)	OUTPUT CURRENT (A)	WEIGHT LBS (Kg)	HEAT LOSS (W) (Fc=2kHz)		
				INT	EXT	TOT
2A0343AXX	200/240	343	216 (98)	655	1964	2619
2A0396AXX		396	218 (99)	829	2435	3264
4A0361AXX	380/480	361	218 (99)	1130	3168	4298

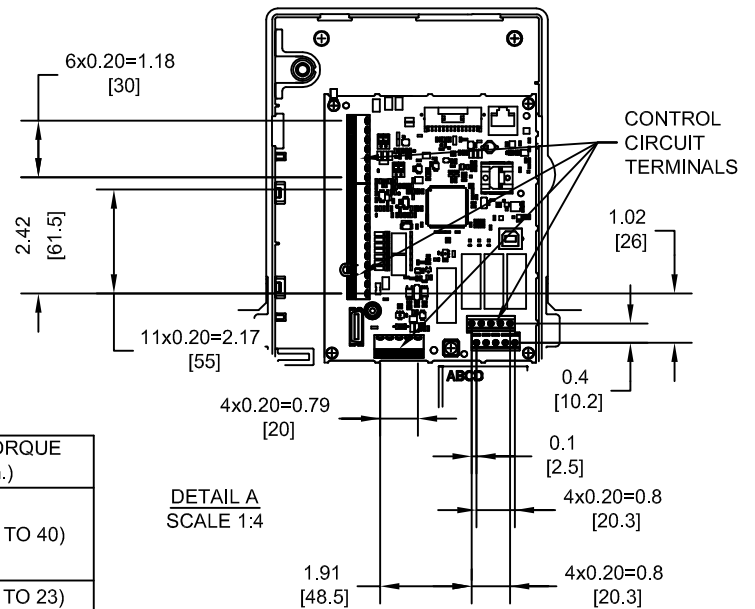
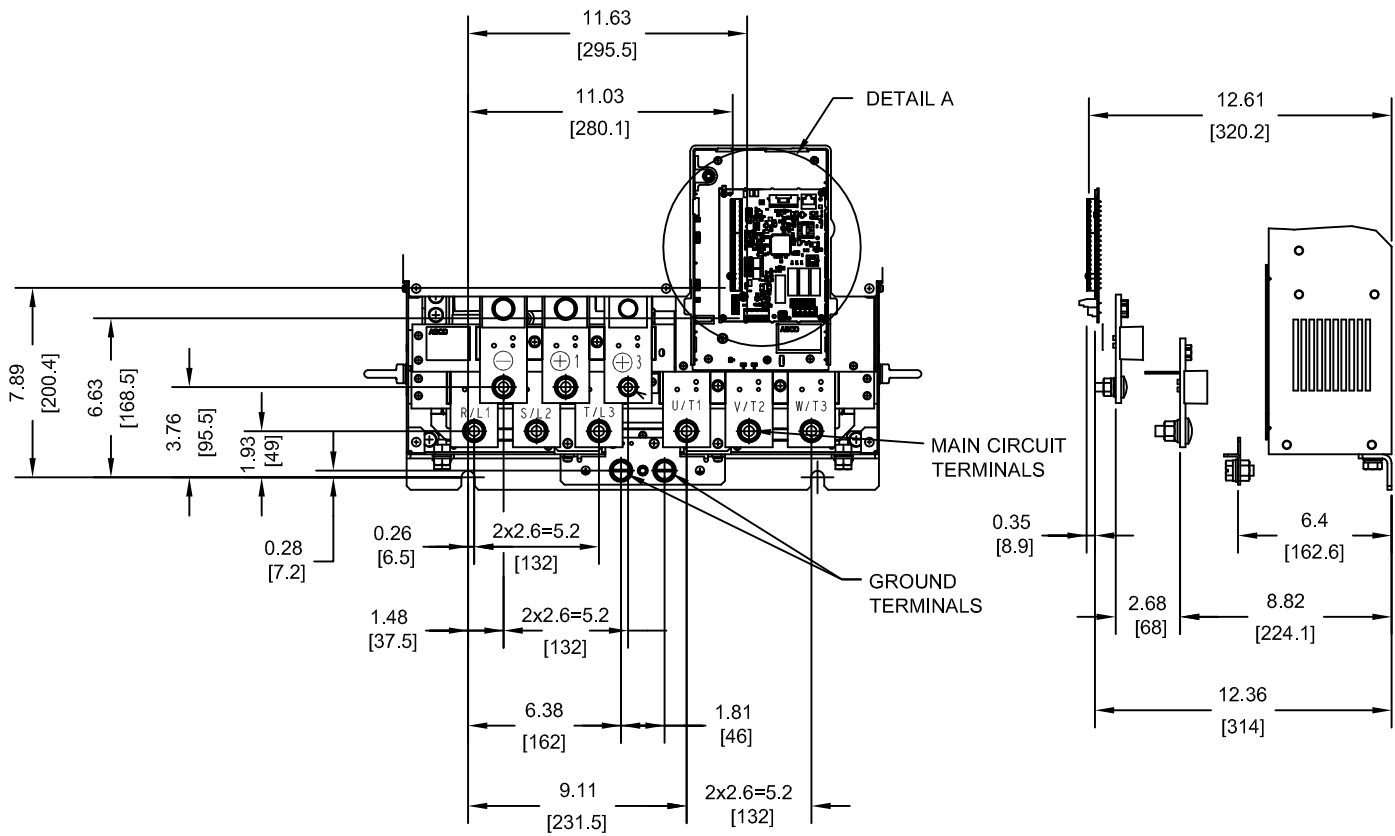
NOTE:
XX DENOTES AA-ZZ

INT=INTERNAL COMPONENTS
EXT=EXTERNAL HEATSINK
TOT=TOTAL

FOR ADDITIONAL DETAILS AND SPECIFICATIONS, CONSULT MANUAL

TOLERANCES / REFERENCES:			DRAWN: J. MATTAS DATE: 9-2-11	TITLE: Z1000 DIMENSION DRAWING		
			CHECKED: J. PIOTROWSKI DATE: 10-21-11	FRAME SIZE 8 IP00 ENCLOSURE 2A0343 - 0396, 4A0361		
		TECH: J. BORJA DATE: 9-26-11	APPROVED: J. CAIRO DATE: 10-17-11	SIZE A	REVISION R01	PAGE 1 of 3
UNITS: IN [mm]		SCALE: 1:15	ORIGINAL DESIGN: -	DATE: -	DRAWING #: DD.Z1K.FR8.IP00	
THIS DOCUMENT AND INFORMATION CONTAINED IN IT ARE CONFIDENTIAL, AND CANNOT BE COPIED OR DISCLOSED IN WHOLE OR IN PART WITHOUT THE EXPRESS WRITTEN CONSENT OF YASKAWA AMERICA, INC.						

TERMINAL AND WIRING DETAILS (SCALE 1:8)



TERMINAL AND WIRE SPECIFICATIONS FOR MAIN CIRCUIT AND GROUND

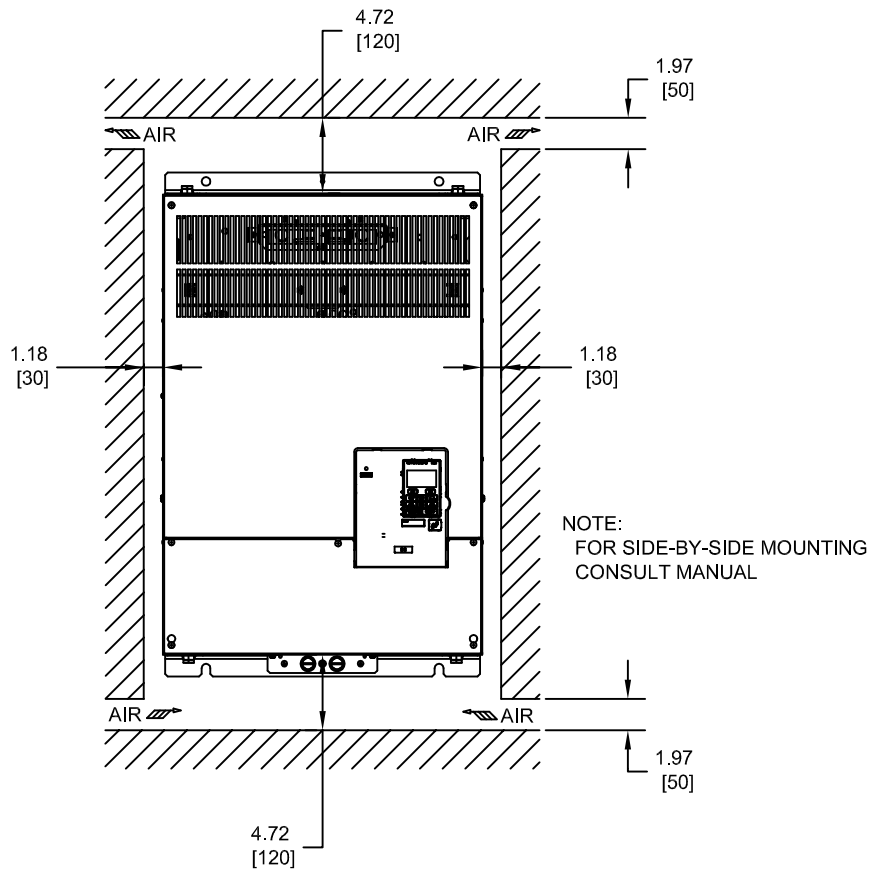
MODEL # CIMR-ZU	TERMINAL SYMBOL	TERMINAL SCREW	CLAMPING TORQUE lb.in.(N.m.)	
2A0343 2A0396 4A0361	R/L1, S/L2, T/L3	M12	283 TO 354 (32 TO 40)	
	U/T1, V/T2, W/T3			
	⊖, ⊕1	M10		159 TO 204 (18 TO 23)
	⊕3	M12		283 TO 354 (32 TO 40)

NOTE: REFER TO APPLICABLE CODES FOR PROPER WIRE TYPE AND SIZE

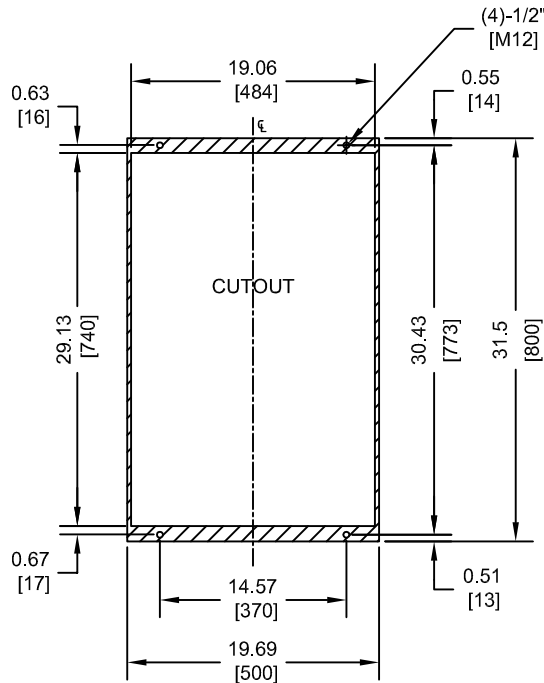
FOR ADDITIONAL DETAILS AND SPECIFICATIONS, CONSULT MANUAL

TOLERANCES / REFERENCES:			DRAWN: J. MATTAS DATE: 9-2-11	TITLE: Z1000 DIMENSION DRAWING FRAME SIZE 8 IP00 ENCLOSURE 2A0343 - 0396, 4A0361	
			CHECKED: J. PIOTROWSKI DATE: 10-21-11		
		TECH: J. BORJA DATE: 9-26-11			SIZE: A
		APPROVED: J. CAIRO DATE: 10-17-11			REVISION: R01
		ORIGINAL DESIGN: -			PAGE: 2 of 3
UNITS: IN[mm]	SCALE: BY VIEW	THIS DOCUMENT AND INFORMATION CONTAINED IN IT ARE CONFIDENTIAL, AND CANNOT BE COPIED OR DISCLOSED IN WHOLE OR IN PART WITHOUT THE EXPRESS WRITTEN CONSENT OF YASKAWA AMERICA, INC.		DRAWING #: DD.Z1K.FR8.IP00	

MINIMUM INSTALLATION CLEARANCES (SCALE 1:12)



PANEL CUTOUT FOR EXTERNAL HEATSINK MOUNTING CONFIGURATION (SCALE 1:15)



NOTES:

1. CUTOUT TOLERANCES:
+/- 0.02IN (0.5MM)
2. EXPOSED HEATSINK DEPTH
D=5.12" MINUS PANEL THICKNESS

FOR ADDITIONAL DETAILS AND SPECIFICATIONS, CONSULT MANUAL

TOLERANCES / REFERENCES:			DRAWN: J. MATTAS DATE: 9-2-11	TITLE: Z1000 DIMENSION DRAWING		
			CHECKED: J. PIOTROWSKI DATE: 10-21-11	FRAME SIZE 8 IP00 ENCLOSURE 2A0343 - 0396, 4A0361		
		TECH: J. BORJA DATE: 9-26-11	APPROVED: J. CAIRO DATE: 10-17-11	SIZE: A	REVISION: R01	PAGE: 3 of 3
UNITS: IN [mm]	SCALE: BY VIEW	ORIGINAL DESIGN: -		DATE: -	DRAWING #: DD.Z1K.FR8.IP00	
THIS DOCUMENT AND INFORMATION CONTAINED IN IT ARE CONFIDENTIAL, AND CANNOT BE COPIED OR DISCLOSED IN WHOLE OR IN PART WITHOUT THE EXPRESS WRITTEN CONSENT OF YASKAWA AMERICA, INC.						